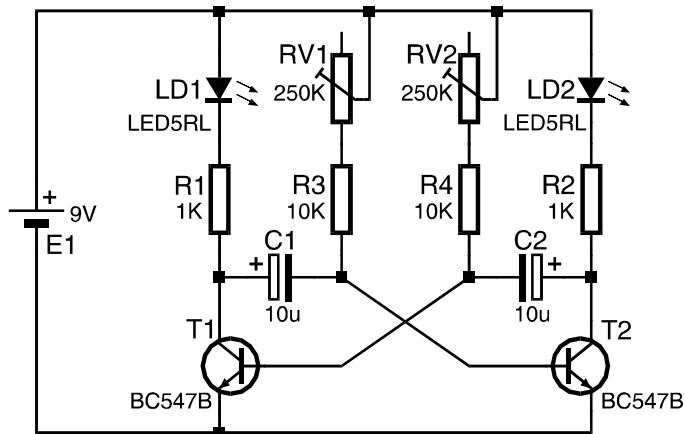
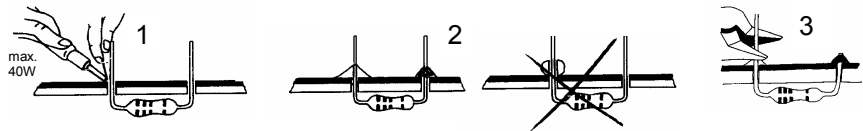


Soldering - Solderen - Soudage - Lötten - Soldadura - Lödning - Juottaminen - Saldatura - Solda



VELLEMAN KIT NV
 Legen Heirweg 33
 9890 Gavere
 Belgium
 Email: Support@velleman.be

1 Resistor - Weerstand - Résistance - Widerstand - Resistencia - Motstand - Vastus - Resistenze

◊R1: 1K (Brown, Black, Red) - (Bruin, Zwart, Rood) - (Brun, Noir, Rouge)
 (Braun, Schwarz, Rot) - (Brun, Svart, Röd)
 (Ruskea, Musta, Punainen) - (Marrón, Negro, Rojo)
 (Castanho, Preto, Encarnado) - (Marrone, Nero, Rosso)

◊R2: 1K (Brown, Black, Orange) - (Bruin, Zwart, Oranje) - (Brun, noir, Orange)
 (Braun, Schwarz, Orange) - (Brun, Svart, Orange)
 (Ruskea, Musta, Oranssi) - (Marrón, Negro, Naranja)
 (Castanho, Preto, Laranja) - (Marrone, Nero, Aranciato)

◊R3: 10K
 ◊R4: 10K

2 Trimpotentiometer - Potentiomètre de réglage - Potenciómetro de regulación - Trimmerpotentiometri - Trimmerpotentiometri

◊RV1: 220K (250K)
 ◊RV2: 220K (250K)

3 Transistor

◊ T1: BC547
 ◊ T2: BC547

4 ELCO

◊C1: 10µF
 ◊C2: 10µF
 Watch the polarity!

5 LED

◊LD1: 5mm
 ◊LD2: 5mm
 COLOR = 2...5 Watch the polarity!

6

Red - Rood - Rouge - Rot - Röd -